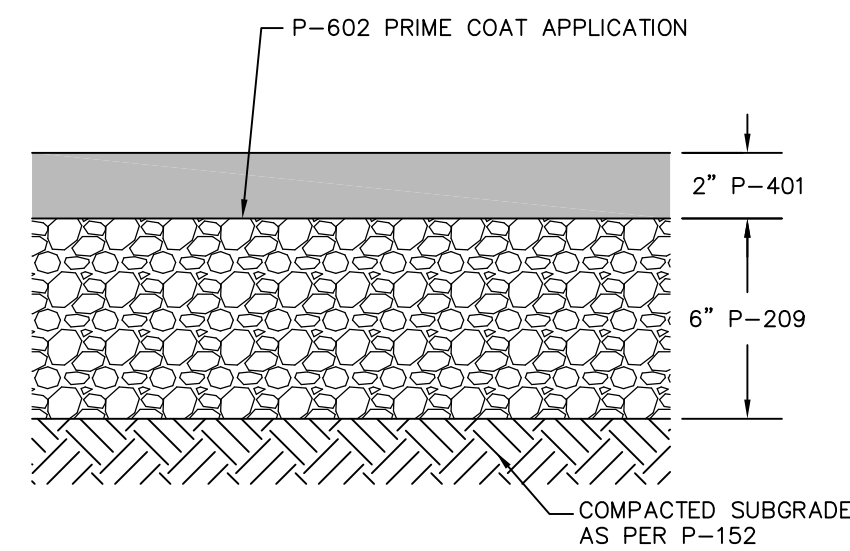


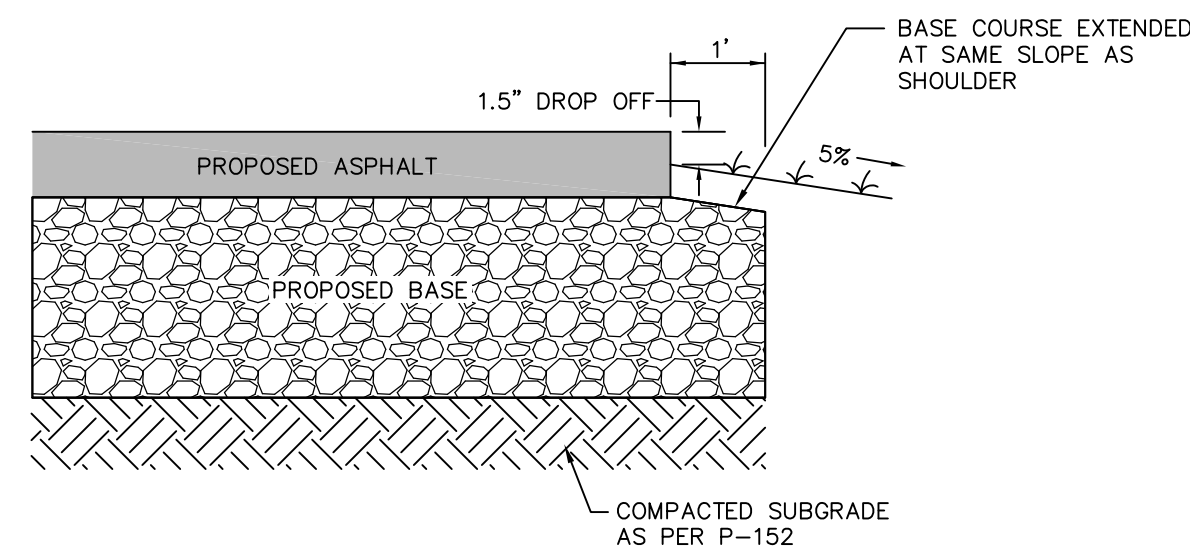
APRON PAVEMENT SECTION

NOT TO SCALE



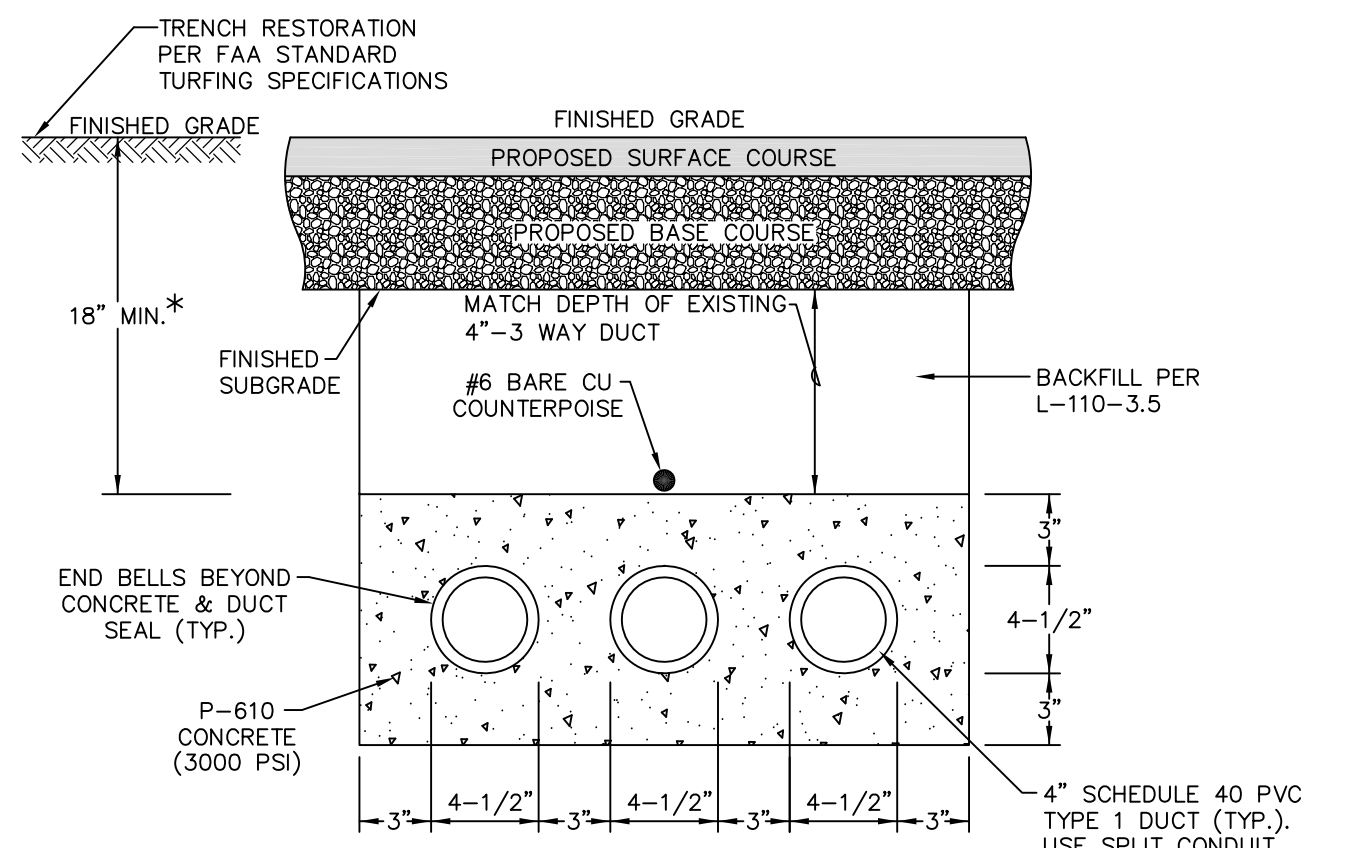
TAXIWAY WIDENING PAVEMENT SECTION

NOT TO SCALE



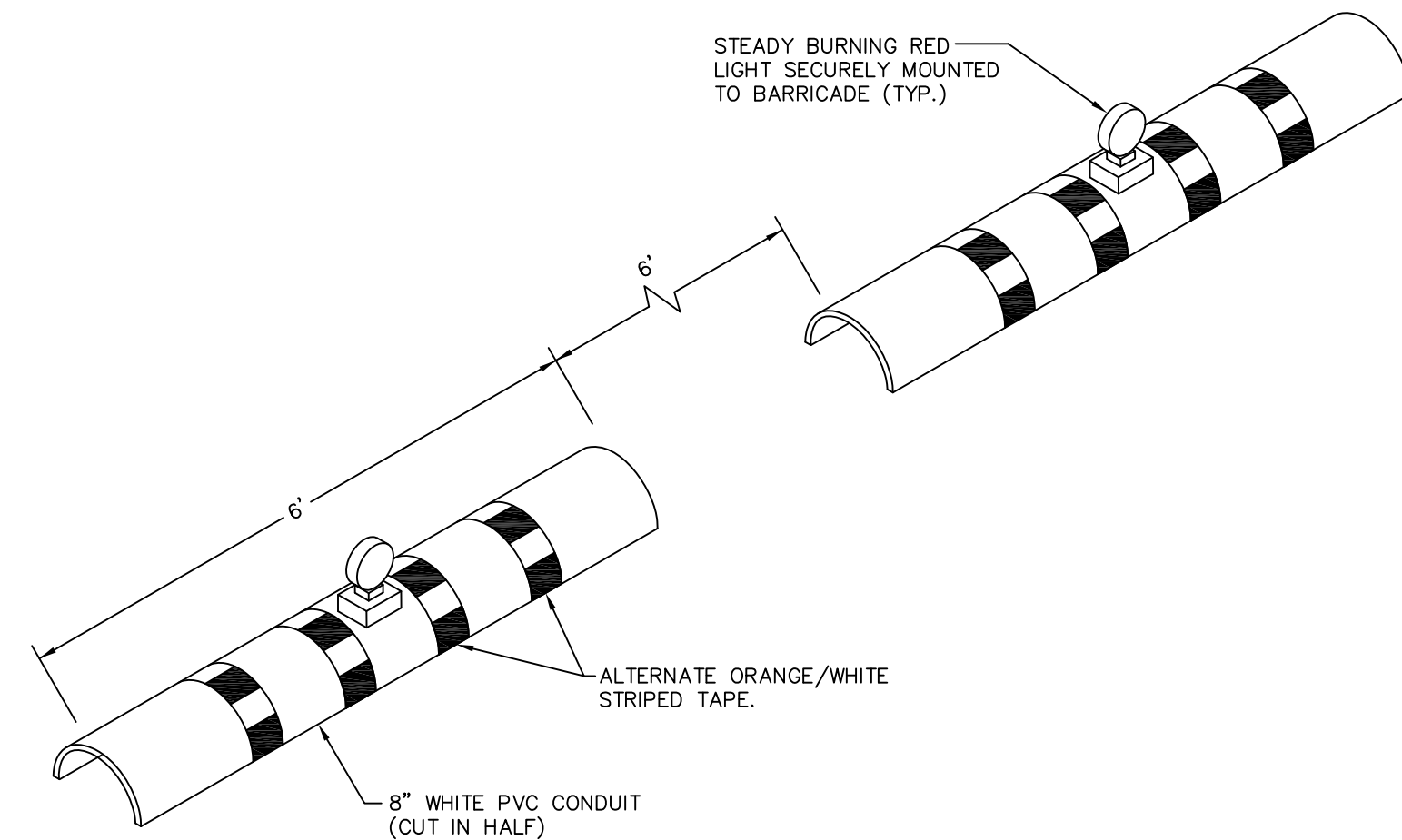
TYPICAL SHOULDER DETAIL

NOT TO SCALE



4\"/>

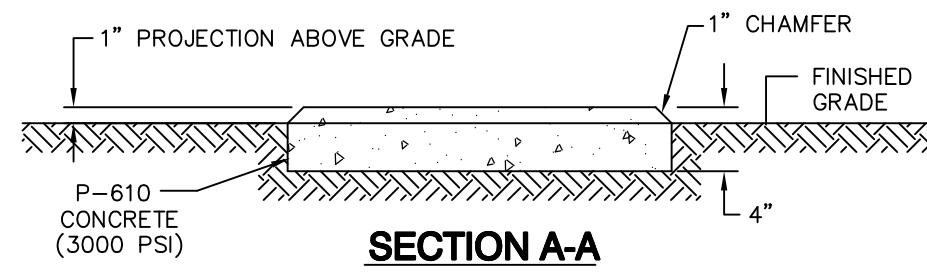
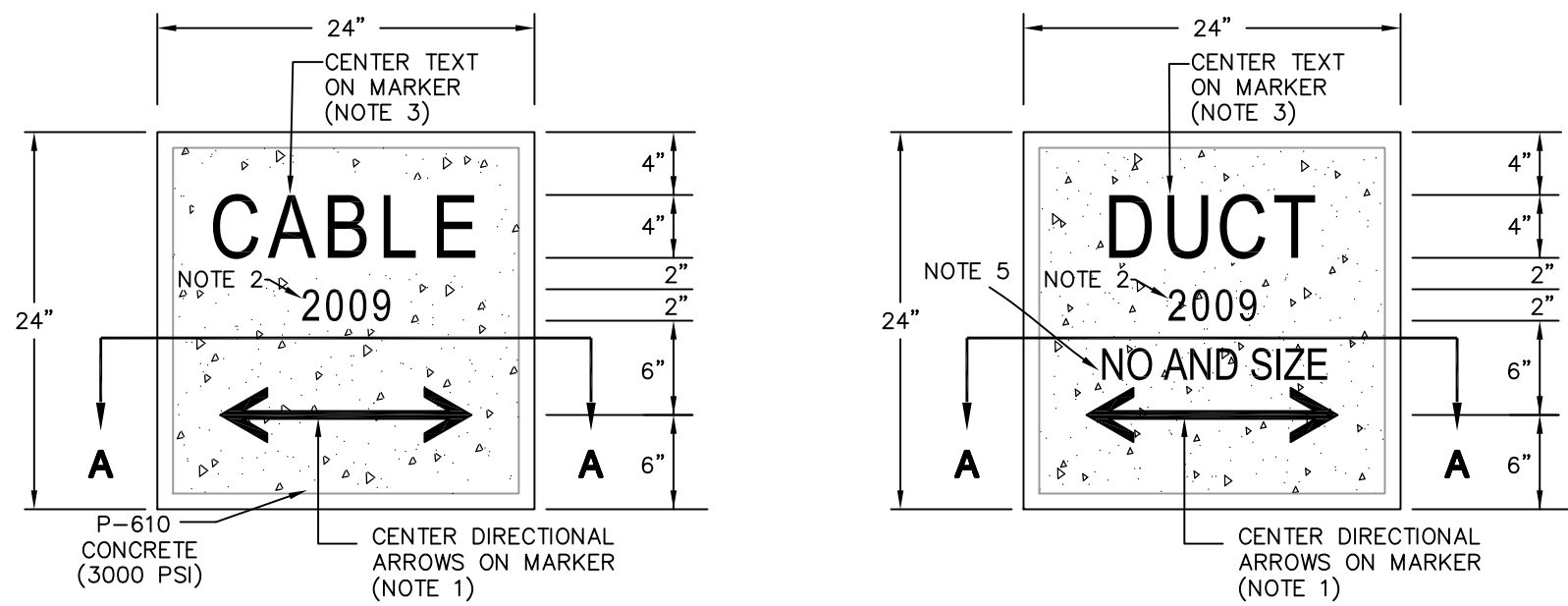
NOT TO SCALE



LOW PROFILE AVIATION BARRICADE

NOT TO SCALE

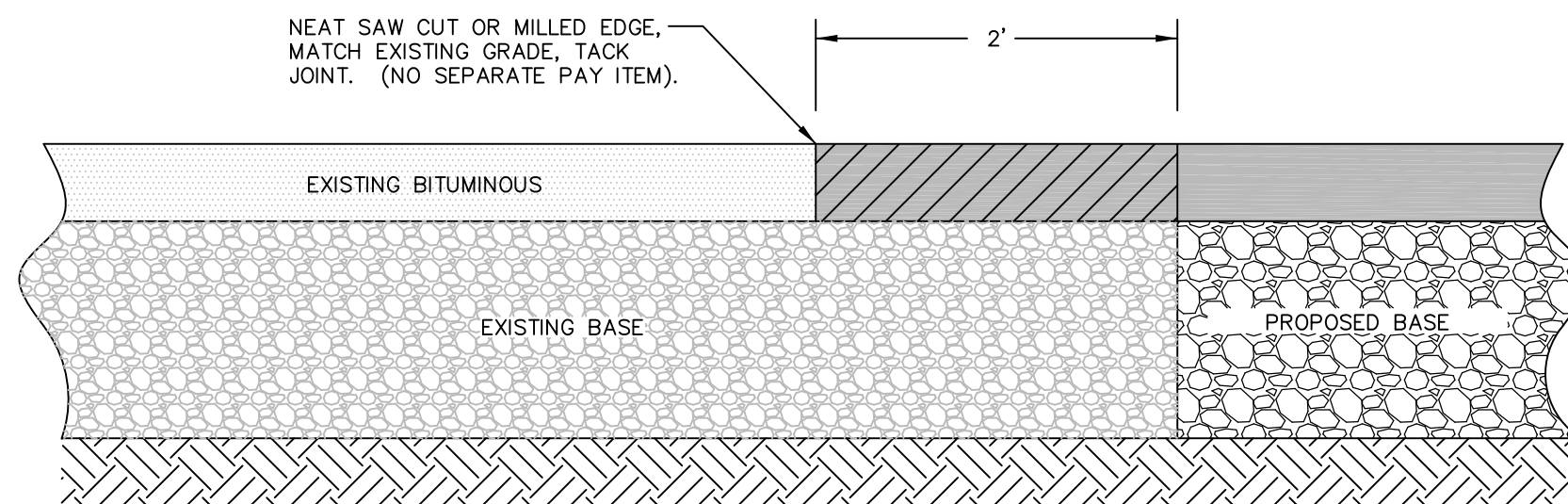
NOTES:
THE CONTRACTOR SHALL SUPPLY SAND BAGS TO PREVENT LOW PROFILE AVIATION BARRICADES FROM MOVING AS DEEMED NECESSARY BY THE ENGINEER. (NO SEPARATE PAY ITEM).



NOTES:
1. REFER TO LIGHTING LAYOUT FOR LOCATION AND DIRECTIONAL ANGLE OF TRENCH.
2. IMPRESS THE YEAR THE MARKER WAS CAST BELOW "CABLE" DESIGNATION TEXT HEIGHT 2", WIDTH 1", STROKE 1/4", DEPTH 1/4".
3. TEXT HEIGHT 4", WIDTH 3", STROKE 1/2", DEPTH 1/4".
4. TEXT IMPRESSED BY STICK OR HAND WRITTEN WILL NOT BE ACCEPTED.
5. EACH DUCT MARKER SHALL INDICATE THE NUMBER AND SIZE OF CONDUIT OR DUCT (I.E. 4"-4W)

CABLE MARKER DETAIL

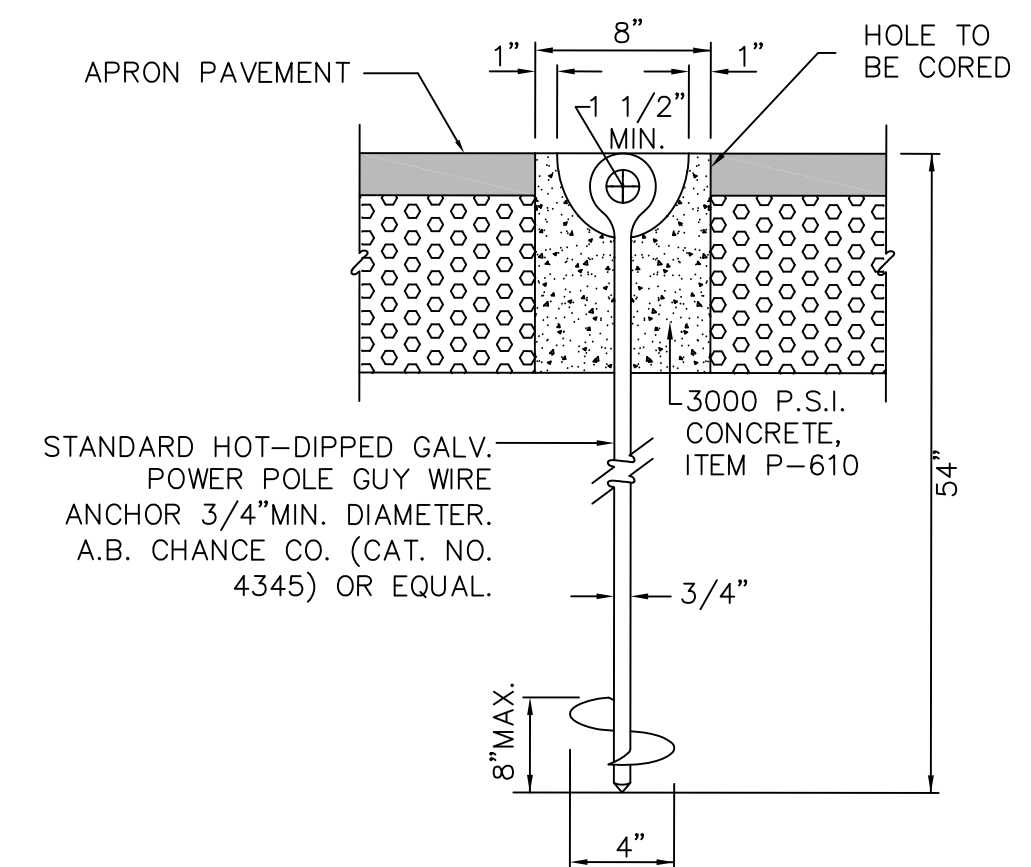
NOT TO SCALE



LEGEND:
[Hatched pattern] PROPOSED PAVEMENT REMOVAL
[Solid grey] PROPOSED BITUMINOUS PAVEMENT

PAVEMENT TIE-IN DETAIL

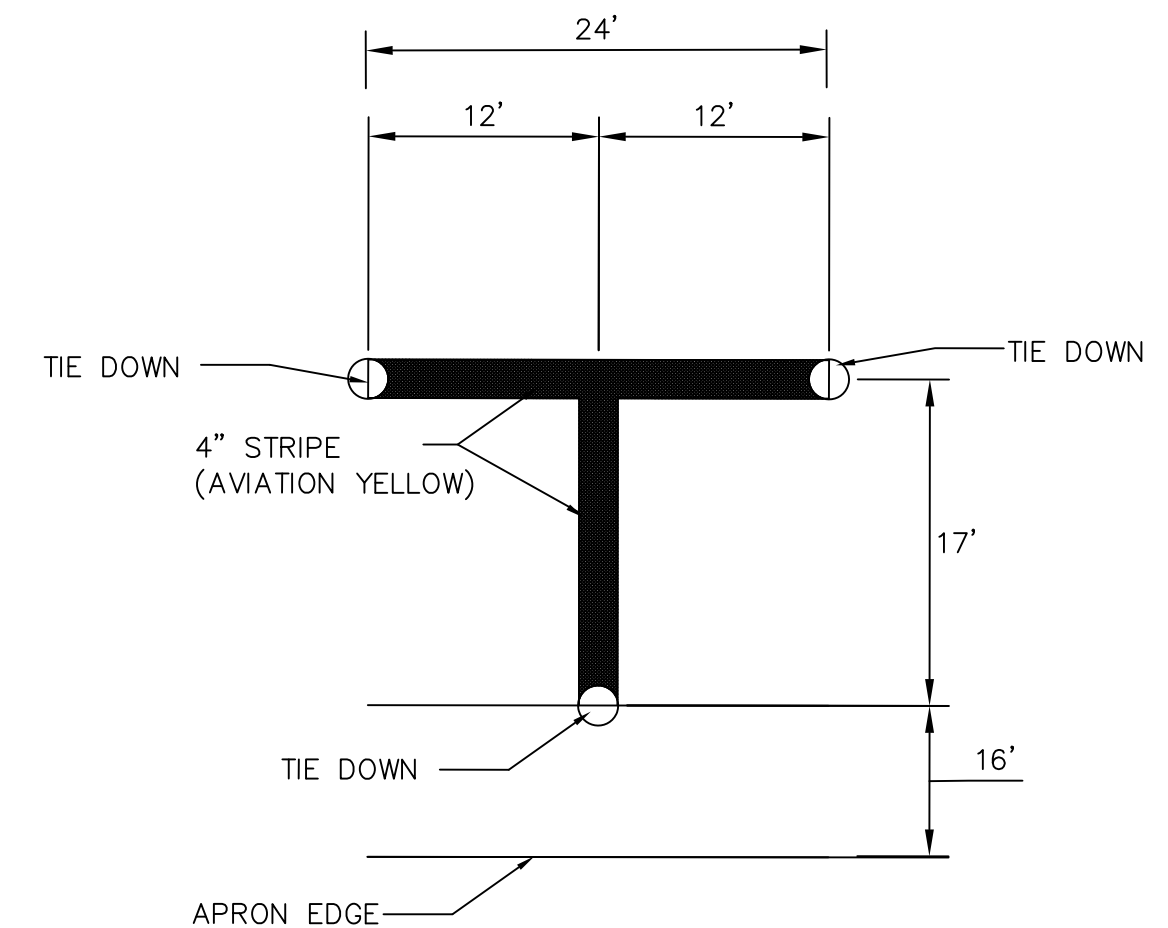
NOT TO SCALE



TIE DOWN DETAIL

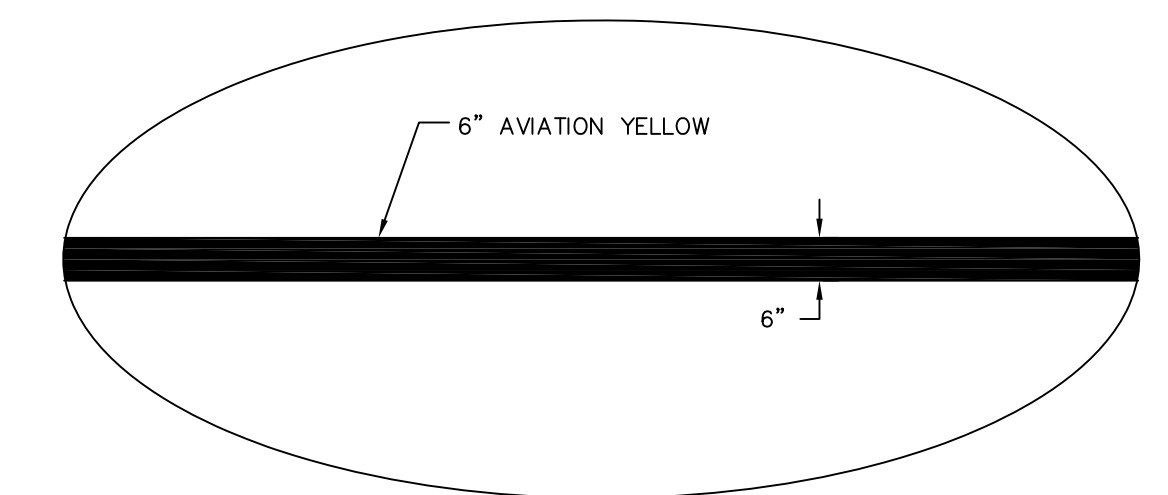
NOT TO SCALE

NOTES:
1. AUGERED MATERIAL SHALL BE COMPLETELY REMOVED FROM THE PAVED AREA.
2. TIE DOWN ROPE TO BE INCLUDED WITH EACH TIE-DOWN INSTALLATION (NO SEPARATE PAY ITEM). ROPE SHALL BE BRAIDED POLYESTER SUITABLE FOR WET AND DRY CONDITIONS. L=15' DIA=5/8"



TIE DOWN LAYOUT DETAIL

NOT TO SCALE



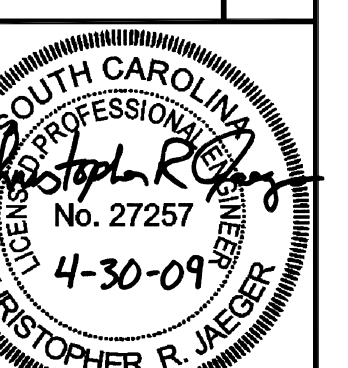
TAXIWAY CENTERLINE MARKING DETAIL

NOT TO SCALE

TALBERT & BRIGHT
ENGINEERING & PLANNING CONSULTANTS
4810 SHELLEY DRIVE
WILMINGTON, NORTH CAROLINA 28405
PHONE: 910-763-5350 FAX: 910-762-6281
EMAIL: TBILLM@TBILLM.COM

| REV. NO. | DESCRIPTION | DATE |
|----------|-------------|------|
| | | |
| | | |
| | | |

TYPICAL SECTIONS & MISCELLANEOUS DETAILS
Apron Expansion
Georgetown County Airport - Georgetown, South Carolina



| | |
|-------------|------------|
| Date | APRIL 2009 |
| Scale | NONE |
| Drawn | NTM |
| Checked | JMS |
| Project No. | W2601-0903 |
| Sheet No. | 6 |
| Of | 7 |